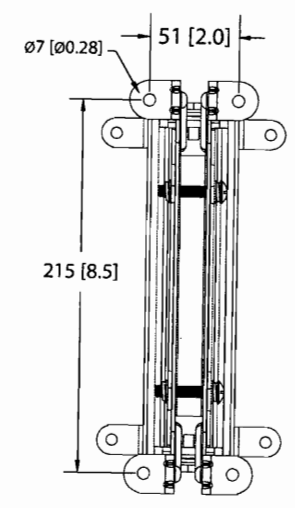


THESE DRAWINGS AND SPECIFICATIONS ARE THE PROPERTY OF JBL INCORPORATED THEY ARE ISSUED IN STRICT CONFIDENCE AND SHALL NOT BE REPRODUCED, COPIED, OR USED AS THE BASIS FOR MANUFACTURING OR SALE OF APPARATUS WITHOUT WRITTEN PERMISSION.

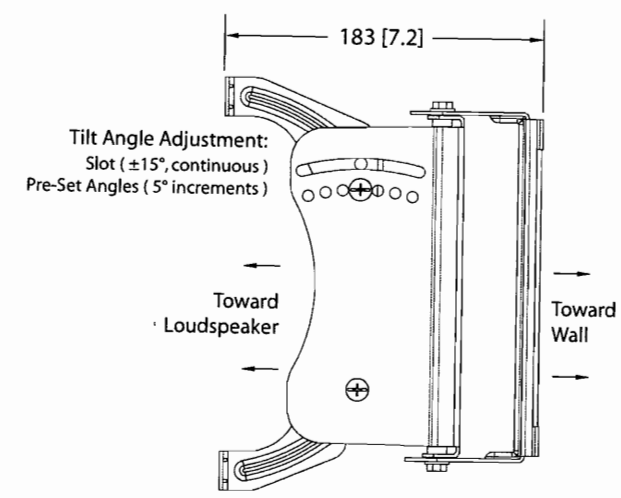
ALL MATERIAL SPECIFIED ON THIS DRAWING SHALL COMPLY WITH EUROPEAN DIRECTIVE 2002/95/EC. **RoHS**

REVISIONS						
CHG	LTR	DESCRIPTION	DRFT	CHK	DATE	APPR
00408	A	RELEASE FOR PRODUCTION	FL	FL	10-3-11	FL

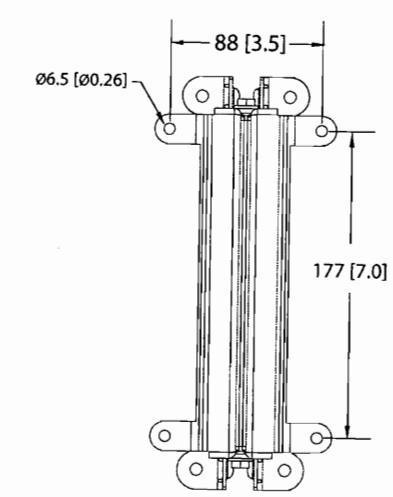
PART NO	DESCRIPTION
445765-001	SWIVEL(PAN)/TILT BRACKET, CBT 50LA-1/CBT 100LA-1 (BLACK)
445765-002	SWIVEL(PAN)/TILT BRACKET, CBT 50LA-1/CBT 100LA-1 (WHITE)



Loudspeaker-Mount Section



Assembled Bracket



Wall-Mount Section

1. INCLUDED WITH CBT 50LA-1 AND CBT 100LA-1

NOTES: (UNLESS OTHERWISE SPECIFIED)

UNCONTROLLED COPY

ITEM	PART NO.	DESCRIPTION	REMARKS/REF P/MS
TOLERANCES (UNLESS OTHERWISE SPECIFIED) .XXX ± .005 INCH .XX ± .010 INCH .X ± .020 INCH FRACTIONAL ± 1/32 ANGULAR ± 30°		DRAWN BY: FL DATE: 10/01/11 DESIGNER: DATE: ENGR: DATE:	JBL Professional A Harman International Company Northridge, California 91329, U.S.A.
DIMENSIONS ARE INCHES BREAK EDGES TO .005 MIN ALL DIMENSIONS ARE FINISHED DIMENSIONS DO NOT SCALE DRAWING		THIRD ANGLE PROJECTION 	TITLE: BRACKET SHEET NO: 445765 SHEET 1 OF 1